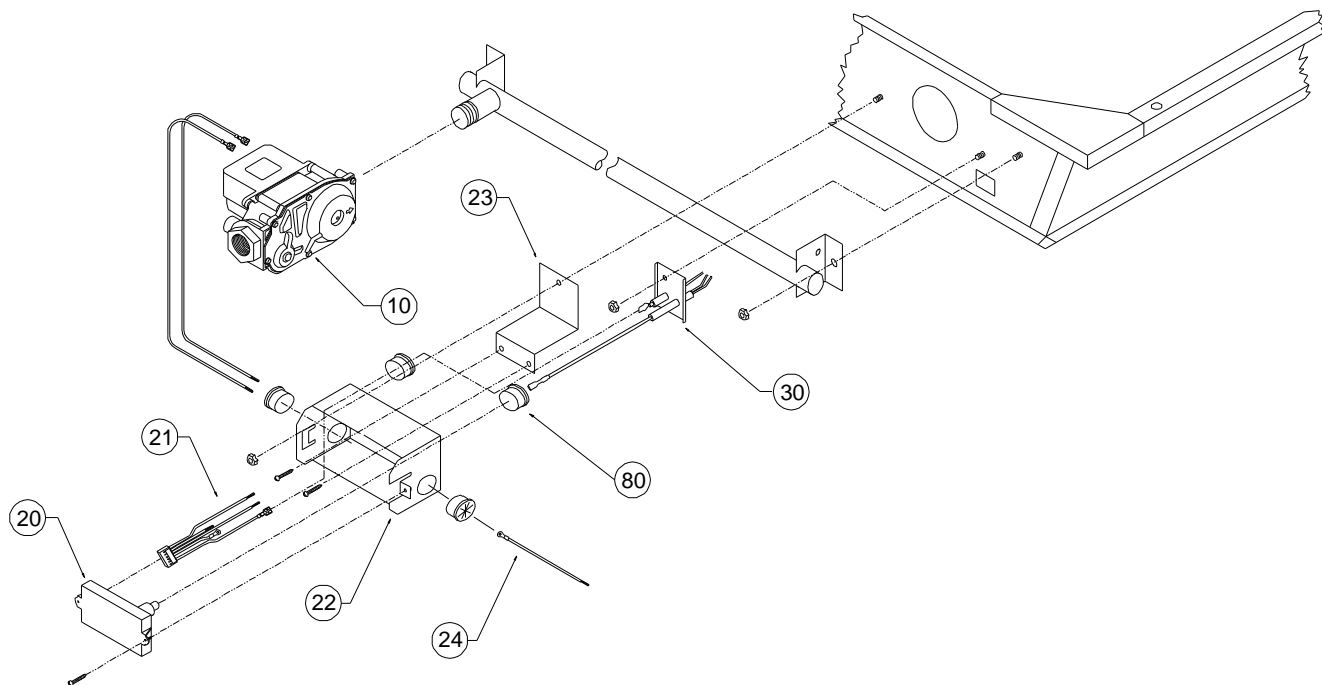


# REPLACEMENT PARTS LIST

**24 VOLT DIRECT SPARK IGNITION  
HI-INTENSITY GAS-FIRED INFRARED HEATERS**

**QSAN-23 R3  
QSAL-23 R3**



**FOR HEATERS WITH CONTROL SUFFIXES: QSAN-23 AND QSAL-23**

NO #	PART #	DESCRIPTION	REPLACEMENT PART FOR:
10	0002-42-200	VR8215S MAIN GAS VALVE (24V.)-½" NPT	QSAN-23 AND QSAL-23
20	0002-42-187	KIDDE-FENWAL 35-602 IGN. DET. CONTROL	QSAN-23 AND QSAL-23
21	000K-10-530-1	24 VOLT WIRE HARNESS	QSAN-23 AND QSAL-23
22	000K-10-065	ELECTRICAL BOX/IDC MOUNTING BRACKET	QSAN-23 AND QSAL-23
23	000K-10-064	IDC MOUNTING BRACKET EXTENSION	QSAN-23 AND QSAL-23
24	000K-10-718	GROUND WIRE	QSAN-23 AND QSAL-23
30	0002-42-144	3 - PRONG ELECTRODE	QSAN-23 AND QSAL-23
80	0002-95-305	PLASTIC GROMMET	QSAN-23 AND QSAL-23

Please indicate model number, control suffix letters, and serial number when requesting replacement part information or ordering parts.