

25-FT. SS CHAIN SET

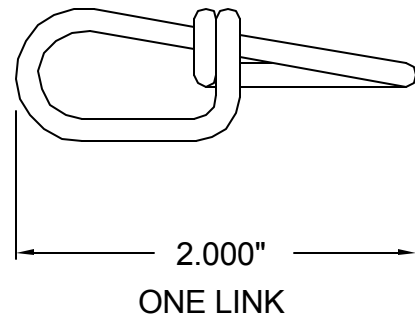
PART # CH-50

CH-25S INCLUDES :

25 FEET OF 1/0 DOUBLE LOOP BULK SS CHAIN (P/N: S132794) AND
14 #5 S-HOOKS (P/N: S132795).

1/0 DOUBLE LOOP CHAIN (P/N S132794)

TRADE SIZE NO.: 1/0
WIRE GAUGE: 11
MATERIAL DIA.: 0.120"
LENGTH PER 100 LINKS: 178"
WEIGHT PER 100 FT.: 12 LBS.
WORKING LOAD LIMIT: 200 LBS.



#5 S-HOOK (P/N: S132795)

TRADE SIZE NO.: #5
MATERIAL DIA.: 0.25"
MAXIMUM LOAD: 70 LBS.

