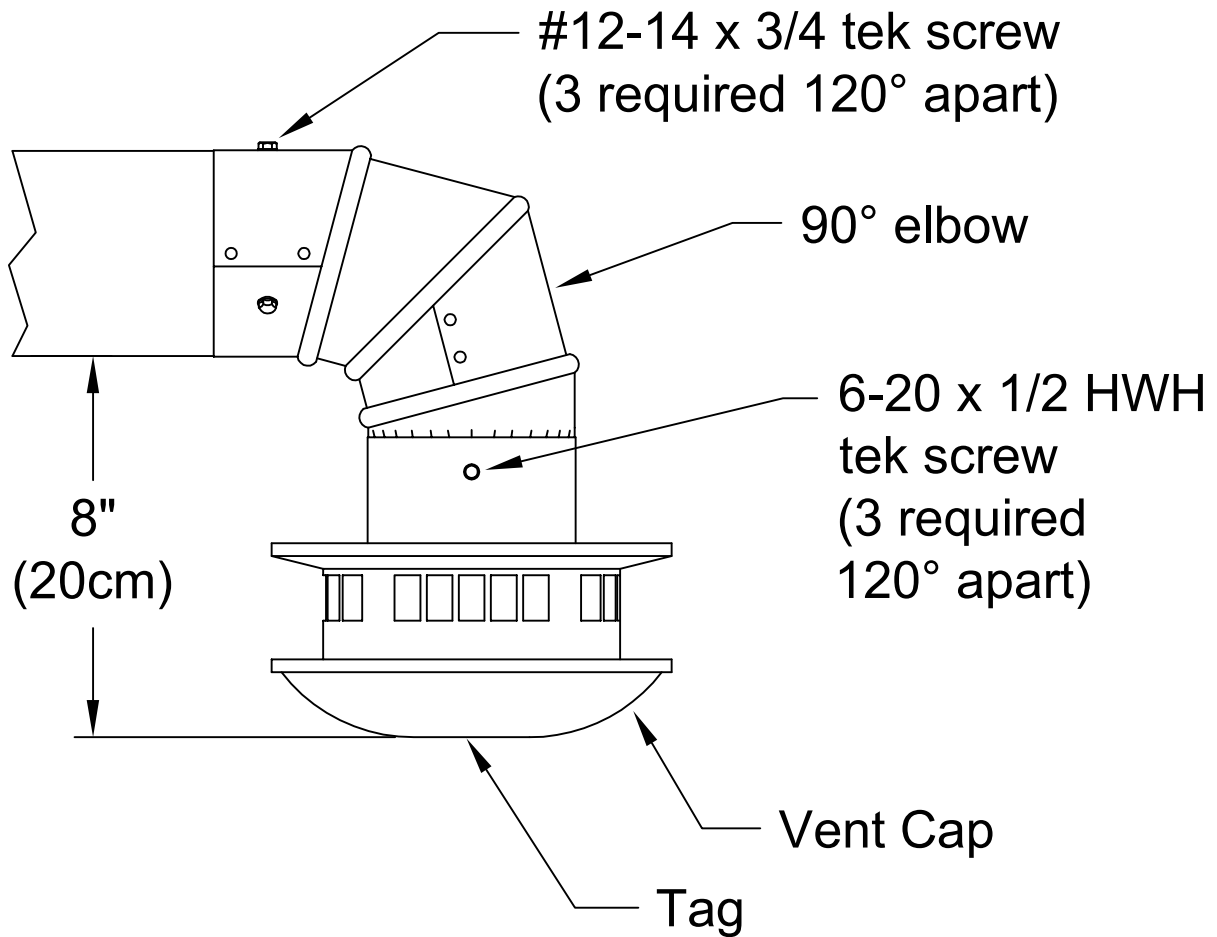


INDOOR VENTING KIT
INSTALLATION DIAGRAM
KIT ITEM # 132691



Install so that the 90° elbow and the top of the venting cap face the floor.

Kit includes:

<u>Item #</u>	<u>(Quantity) & Description</u>
131402	(1) 4" (10cm) I.D. venting cap
131462	(1) 4" (10cm) 90° sheet metal elbow
0002-09-143	(1) Indoor venting tag
6002-96-500	(3) 6-20 x 1/2 HWH tek screw
1202-96-500	(3) #12-14 x 3/4 tek screw