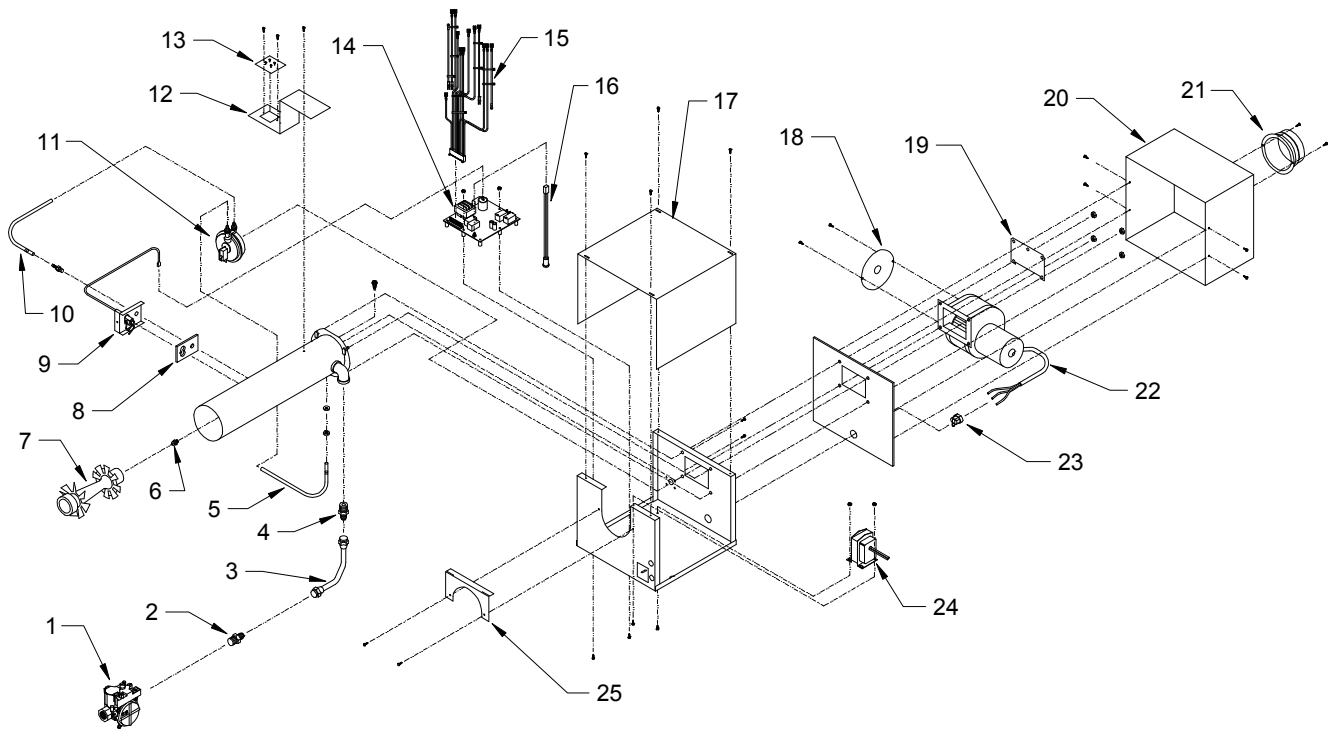




True Dual 2-stage Burner Parts Breakdown Diagram

! WARNING !

- Any substitutions of factory-installed parts without prior written permission may result in unsafe operation, property damage, personal injury, death, voids CSA design certification, and manufacturer's warranty.



- | | |
|--|--|
| 1. Two-stage gas valve | 14. Ignition detection control (IDC) |
| 2. Gas manifold fitting (at valve) | 15. Wire harness assembly |
| 3. Gas manifold assembly with fittings | 16. Indicator light LED |
| 4. Gas manifold fitting (at burner tube) | 17. Burner cover |
| 5. Airflow switch (combustion) tubing assembly with snubber | 18. Air orifice plate |
| 6. Main gas orifice | 19. Safety chain bracket with nuts |
| 7. Burner core | 20. Blower enclosure accessory |
| 8. Ignitor gasket | 21. Inlet air collar accessory (used on blower when blower not enclosed) |
| 9. Three prong electrode spark ignitor | 22. Two-stage blower motor |
| 10. Airflow switch (exhaust) tubing assembly with snubber | 23. Strain relief bushing |
| 11. Airflow switch | 24. Transformer |
| 12. Terminal bracket (when blower enclosed) | 25. Burner tube holding bracket with screws |
| 13. Terminal board (located next to blower when blower not enclosed) | |

- Due to continuous product improvement, please provide model number and serial number prior to ordering replacement parts to assure safe repairs and maintenance.