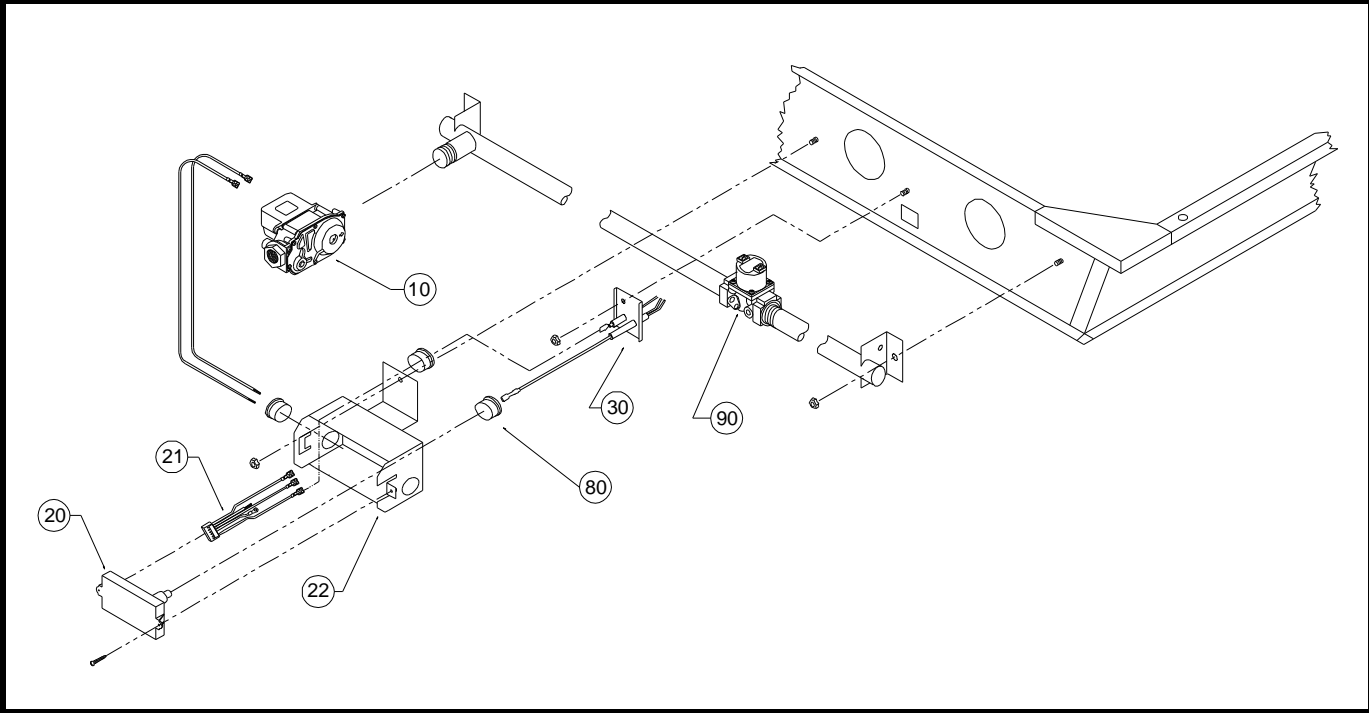


REPLACEMENT PARTS LIST

24 VOLT DIRECT SPARK IGNITION 2-STAGE HI-INTENSITY GAS INFRARED HEATERS	STN-1 STL-1
--	------------------------



FOR HEATERS WITH CONTROL SUFFIXES: STN-1 AND STL-1

NO #	PART #	DESCRIPTION	REPLACEMENT PART FOR:
10	0002-42-200	VR8215S MAIN GAS VALVE (24V.)-1/2" NPT	ALL 2-STAGE HEATERS
20	0002-42-187	KIDDE-FENWAL 35-602 (24V.) CONTROL (IDC)	ALL 2-STAGE HEATERS
21	000K-10-530-1	24 VOLT WIRE HARNESS	ALL 2-STAGE HEATERS
22	000K-10-527	IDC/MANIFOLD BRACKET SUBASS'Y	ALL 2-STAGE HEATERS
30	0002-42-144	3 - PRONG ELECTRODE	ALL 2-STAGE HEATERS
80	0002-95-305	PLASTIC GROMMET	ALL 2-STAGE HEATERS
90	00K2-10-506	GAS MANIFOLD/HI-HEAT VALVE (24V.) ASS'Y	100/50 or 90/45 MBTUH
	00K3-10-506	GAS MANIFOLD/HI-HEAT VALVE (24V.) ASS'Y	150/100 or 120/80 MBTUH
	00K4-10-506	GAS MANIFOLD/HI-HEAT VALVE (24V.) ASS'Y	200/100 or 160/80 MBTUH

Please indicate model number, control suffix letters, and serial number when requesting replacement part information or ordering parts.