

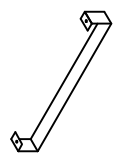
REFLECTOR BRACKET
P/N: 132584
(4) SUPPLIED
(4) REQUIRED



U-STRAP
P/N: 132585
(4) SUPPLIED
(4) REQUIRED



3/8"-24X3/4
HEX BOLT
P/N: 132340
(4) SUPPLIED
(4) REQUIRED



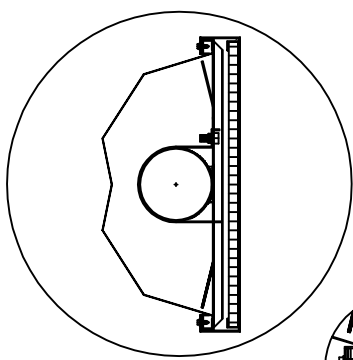
GRILLE BRACKET
P/N: 132780
(4) SUPPLIED
(4) REQUIRED



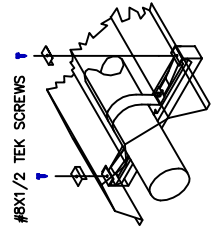
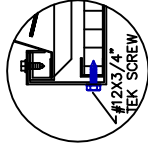
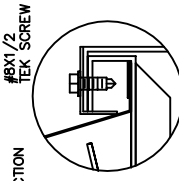
REFLECTOR
HOLD-DOWN
BRACKET
P/N: 132844
(8) SUPPLIED
(8) REQUIRED

#8X1/2 TEK SCREW
P/N: 8002-96-500
(16) SUPPLIED
(16) REQUIRED

#12X3/4 TEK SCREW
P/N: 1202-96-500
(2) SUPPLIED
(2) REQUIRED ONLY FOR
USE ON THE BRACKET
CLOSEST TO THE EXHAUST
END TO SECURE FRAMED
GRILLE ASSEMBLY TO THE
GRILLE BRACKET

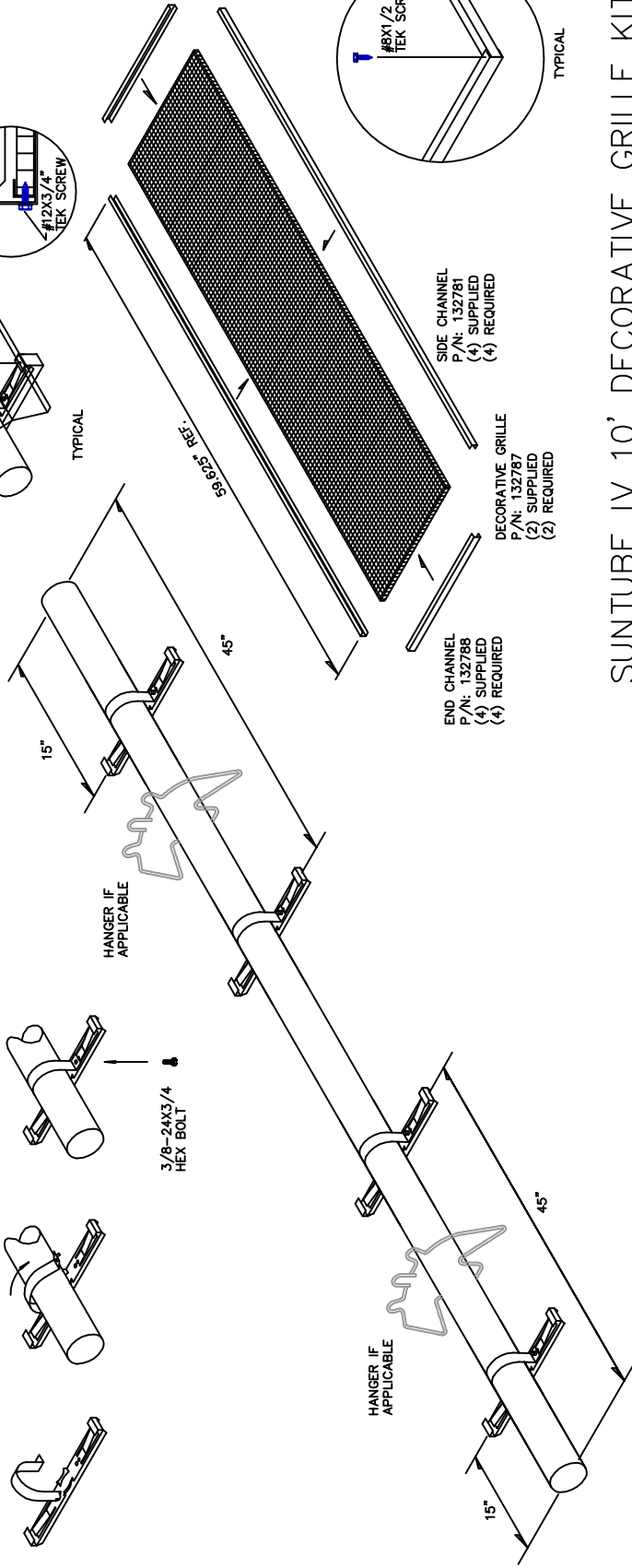


CROSS-SECTION



#8X1/2 TEK SCREWS

TYPICAL

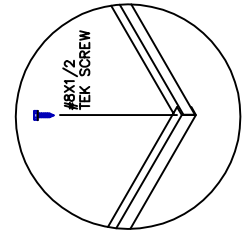


END CHANNEL
P/N: 132788
(4) SUPPLIED
(4) REQUIRED

DECORATIVE GRILLE
P/N: 132787
(2) SUPPLIED
(2) REQUIRED

SIDE CHANNEL
P/N: 132781
(4) SUPPLIED
(4) REQUIRED

TYPICAL



SUNTUBE IV 10' DECORATIVE GRILLE KIT

3/8/2004 PN AA-132791-10 REV. 2

NOTE: FIELD ASSEMBLY INSTRUCTIONS ON SHEET A-132789.