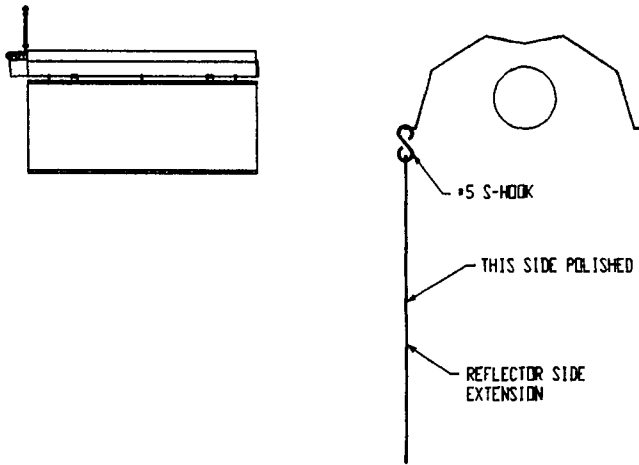


SUNTUBE SIDE REFLECTOR EXTENSION ASSEMBLY

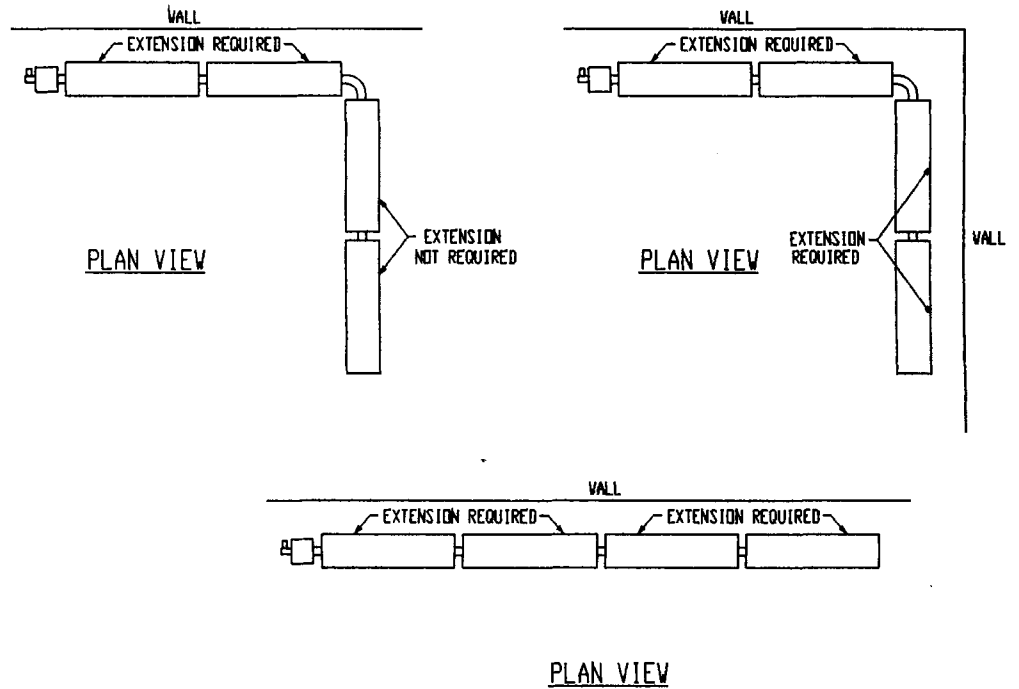
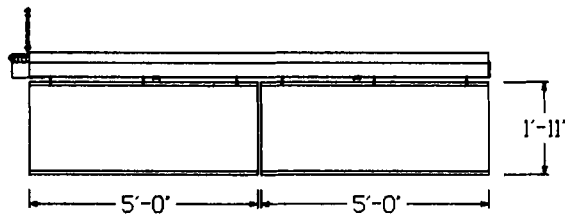
HANGING INSTRUCTIONS FOR 5 FOOT REFLECTOR

1. PUNCH 3 HOLES IN LIP OF SUNTUBE REFLECTOR. MATCH THE SPACING ON THE SIDE REFLECTOR EXTENSION.
2. PLACE S-HOOKS THROUGH HOLES IN SUNTUBE REFLECTOR.
3. ATTACH SIDE REFLECTOR EXTENSION TO THE SUNTUBE REFLECTOR WITH S-HOOKS AND LET HANG VERTICALLY FROM THE SUNTUBE REFLECTOR.
4. MAKE SURE THE POLISHED SIDE OF THE SIDE REFLECTOR EXTENSION FACES THE RADIANT TUBE. CRIMP ALL S-HOOKS CLOSED.



HANGING INSTRUCTIONS FOR 10 FOOT REFLECTOR

1. PUNCH 6 HOLES IN LIP OF SUNTUBE REFLECTOR. MATCH THE SPACING ON THE SIDE REFLECTOR EXTENSIONS.
2. PLACE S-HOOKS THROUGH HOLES IN SUNTUBE REFLECTOR.
3. ATTACH SIDE REFLECTOR EXTENSIONS TO THE SUNTUBE REFLECTOR WITH S-HOOKS AND LET HANG VERTICALLY FROM THE SUNTUBE REFLECTOR.
4. MAKE SURE THE POLISHED SIDE OF THE SIDE REFLECTOR EXTENSIONS FACE THE RADIANT TUBE. CRIMP ALL S-HOOKS CLOSED.



A REFLECTOR SIDE EXTENSION IS A BRIGHTLY POLISHED ALUMINUM PANEL ATTACHED HORIZONTALLY TO THE EDGE OF A STANDARD REFLECTOR. IT IS MOST COMMONLY UTILIZED IN PERIMETER HEATING APPLICATIONS TO DIRECT RADIANT HEAT TOWARDS THE CENTER OF THE BUILDING OR TO REDUCE CLEARANCES TO COMBUSTIBLES. WHEN USED ALONG THE PERIMETER OF A BUILDING, REFLECTOR SIDE EXTENSIONS MUST BE UTILIZED WITH EACH HEAT EXCHANGER ALONG THE PERIMETER.

1 - ECO 758 12/11/97 LB

SUNTUBE SIDE REFLECTOR EXTENSION ASSEMBLY			
THIS DRAWING IS THE PROPERTY OF SOLARONICS, INC. AND SHALL NOT BE USED OTHER THAN FOR INFORMATION WITHOUT WRITTEN PERMISSION FROM SOLARONICS, INC.			
SOLARONICS, INC. ROCHESTER, MICHIGAN INDUSTRIAL HEATING EQUIPMENT			
SCALE	NONE	DATE	11-3-92
DRAWN	LB		322
CONTRACT NUMBER			DRAWING NO.
			A-132481
			REV. 1