

OPTIONAL SUSPENDED CEILING INSTALLATION OF SUNTUBE HEATER

PARTICULAR CONSIDERATION MUST BE GIVEN TO CLEARANCES TO COMBUSTIBLES IN THIS TYPE OF INSTALLATION. SINCE THE STANDARD REFLECTOR IS USED, THE CLEARANCE TO COMBUSTIBLES WILL BE THE SAME AS INDICATED IN THE "SUMMARY OF SPECIFICATIONS" IN THE INSTALLATION, OPERATION AND MAINTENANCE INSTRUCTION MANUAL. VERIFY THAT THE CEILING PANELS ADJACENT TO EACH SIDE OF THE HEATER ARE NOT COMBUSTIBLE OR THAT THEY ARE MADE OF CLASS A MATERIALS. VERIFY THE INSTALLATION IS ACCEPTABLE TO LOCAL AUTHORITIES. IN ADDITION, TO PROVIDE ADEQUATE COMFORT LEVELS, REFER TO "HEATER LOCATION" IN THE INSTALLATION, OPERATION AND MAINTENANCE INSTRUCTION MANUAL TO IDENTIFY MINIMUM MOUNTING HEIGHT.

THESE INSTRUCTIONS MAY NOT COVER ALL DETAILS OR VARIATIONS IN THIS EQUIPMENT, OR COVER EVERY POSSIBLE SITUATION TO BE MET IN CONNECTION WITH INSTALLATION, OPERATION OR MAINTENANCE. SHOULD PROBLEMS ARISE THAT ARE NOT COVERED SUFFICIENTLY IN THESE INSTRUCTIONS, THE PURCHASER IS ADVISED TO CONTACT THE ENGINEERING DEPARTMENT AT SOLARONICS, INC. FOR FURTHER INFORMATION.

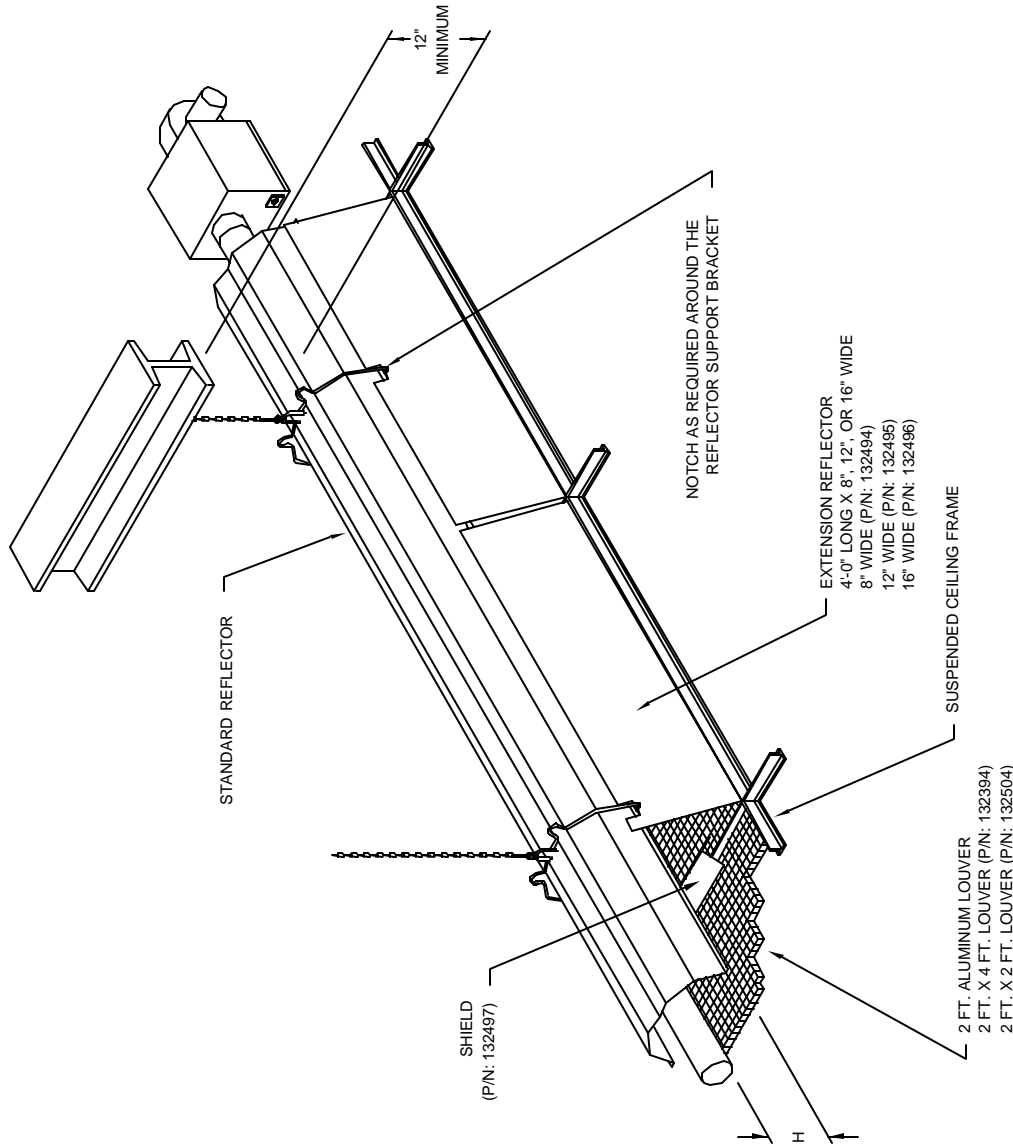
THE SUNTUBE LOW-INTENSITY GAS INFRARED HEATER CAN BE INSTALLED OVER SUSPENDED CEILING WITH AN ALUMINUM LOUVER DIRECTLY BELOW THE HEATER. THE ALUMINUM LOUVER (P/N: 132394) IS A 2 FOOT WIDE X 4 FOOT LONG BY 1/2" THICK, NON-FLAMMABLE, 1/2" X 1/2" OPEN-GRID CELL PATTERN CONSTRUCTED OF 0.015" ALUMINUM WITH A MILL FINISH. NEVER USE REGULAR CEILING TILES DIRECTLY BELOW THE HEATER SINCE IT WOULD CREATE AN UNSAFE CONDITION. THE HEATER IS INSTALLED IN A NORMAL FASHION (AS DESCRIBED IN THE INSTRUCTION MANUAL) WITH THE TUBE SUSPENDED OVER THE LOUVERS FROM A MINIMUM HEIGHT OF 4.000" TO A MAXIMUM HEIGHT OF 14.375" (DISTANCE H). CALCULATE DISTANCE "H" BETWEEN THE BOTTOM OF THE HEAT EXCHANGER TUBE TO THE TOP OF THE LOUVER TO DETERMINE THE SIZE OF THE EXTENSION REFLECTORS REQUIRED FROM THE FOLLOWING TABLE:

H (INCHES)		EXTENSION REFLECTORS	
MIN.	MAX.	WIDTH	PART NO.
4.000	5.750	8 IN.	132494
5.750	10.125	12 IN.	132495
10.125	14.375	16 IN.	132496

THE EXTENSION REFLECTORS ARE AVAILABLE IN STANDARD 4 FOOT SECTIONS AND ARE LAID ALONGSIDE THE STANDARD REFLECTORS. IT MAY BE NECESSARY TO CUT NOTCHES FOR CLEARANCE AROUND THE REFLECTOR SUPPORT BRACKETS.

A SHIELD (P/N: 132497) IS PLACED OVER THE SUSPENDED CEILING FRAME MEMBER WHICH PASS DIRECTLY UNDERNEATH THE HEATER.

FOR YOUR SAFETY, GLOVES ARE TO BE WORN WHEN HANDLING THE ALUMINUM LOUVERS TO PROTECT THE HANDS FROM SHARP EDGES. ALLOW A 12 INCH MINIMUM CLEARANCE FROM THE TOP AND SIDES OF THE BURNER.



OPTIONAL SUSPENDED CEILING INSTALLATION OF
SUNTUBE HEATER

Solaronics
The Leader In Gas Infra-Red Technology

TOLERANCES - UNLESS OTHERWISE SPECIFIED -

DECIMAL 1/1000 ANGLES ±1'

ALL DIMS. ON SAME CENTERLINE MUST BE CONSIDERED WITHIN .006"
DESIGNER PER 395-399 DO NOT SCALE THIS PRINT
OTHER THAN FOR INFORMATION WITHOUT PERMISSION FROM SOLARONICS, INC.

SCALE NONE DATE 6-1-98 DRAWING NO.

APPROVED

SAUN LB

1 GEN REV 08-29-2011 PN DATE

AA-132710

EX

1