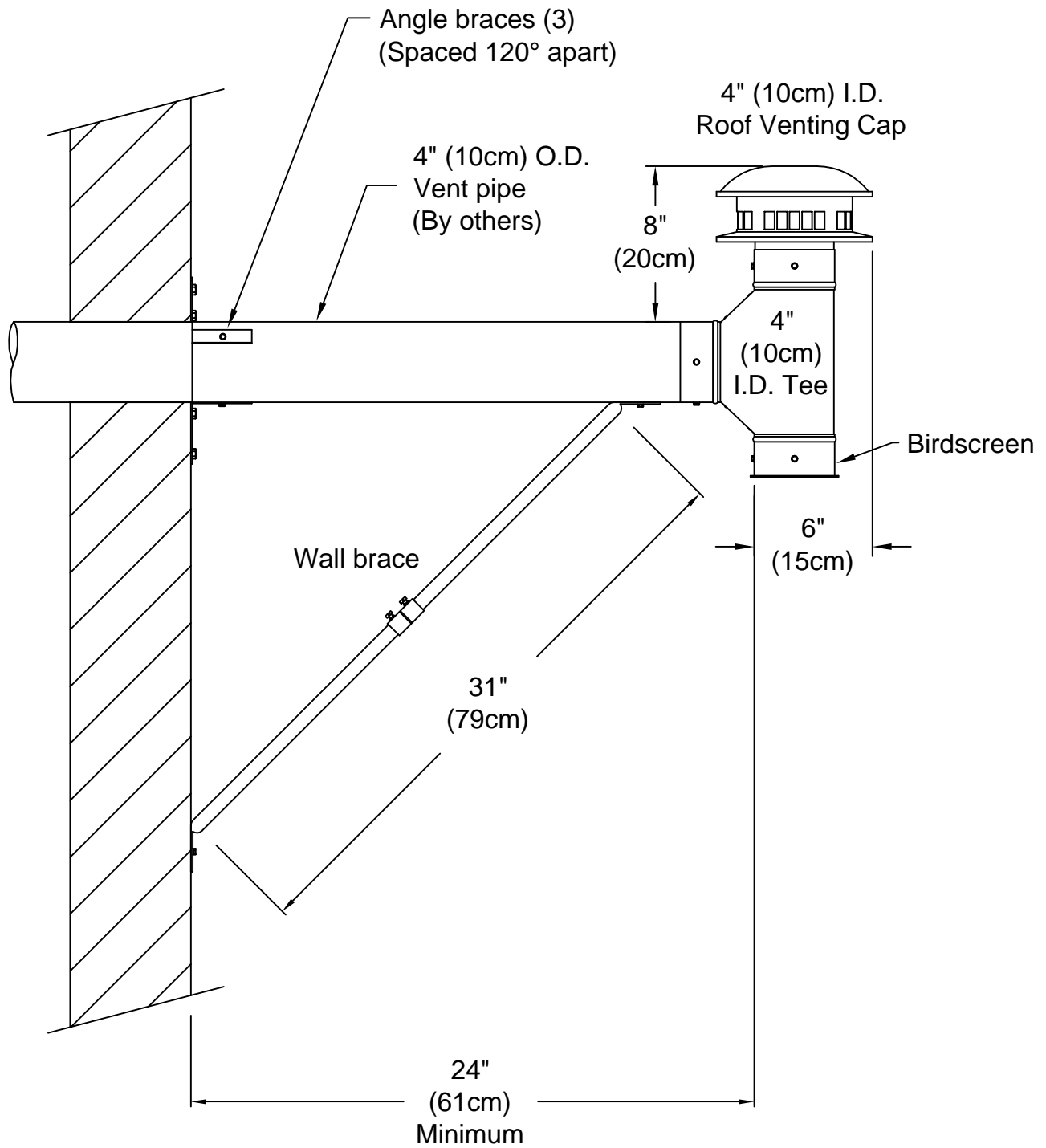


4" WALL VENTING KIT INSTALLATION DIAGRAM KIT ITEM # 132237



Kit includes:

<u>Item #</u>	<u>(Quantity) & Description</u>
132104	(1) 4" (10cm) I.D. tee with vent cap and birdscreen
132097	(1) Wall brace
0002-01-013	(3) Angle brace