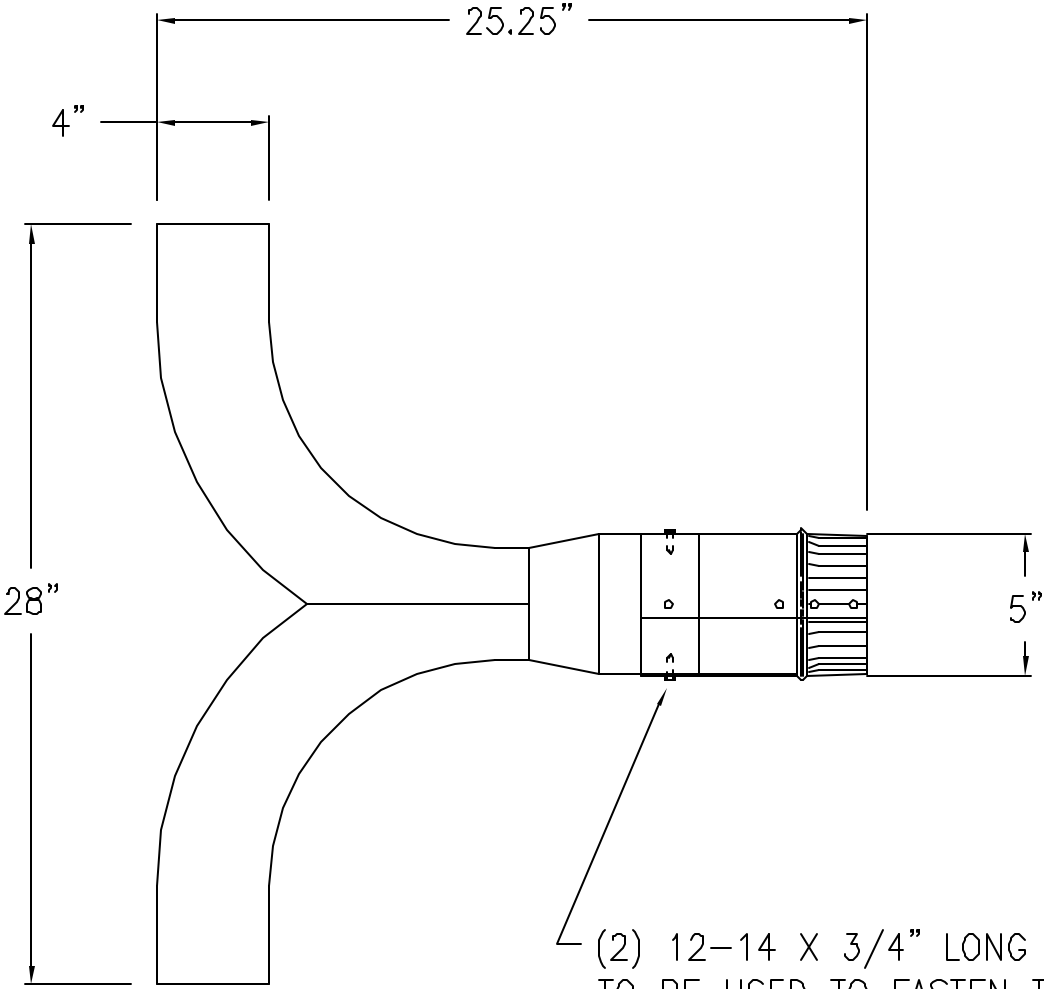


130828 ST Y-Coupler



(2) 12-14 X 3/4" LONG TEK SCREWS
TO BE USED TO FASTEN THE 5" O.D.
STUB TO COUPLER ONLY IN THE
ORIENTATION SHOWN