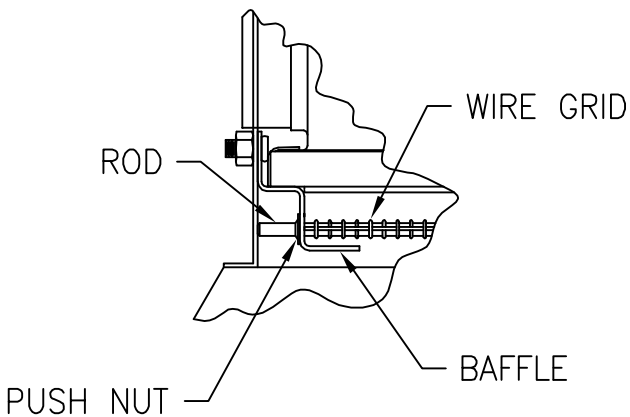
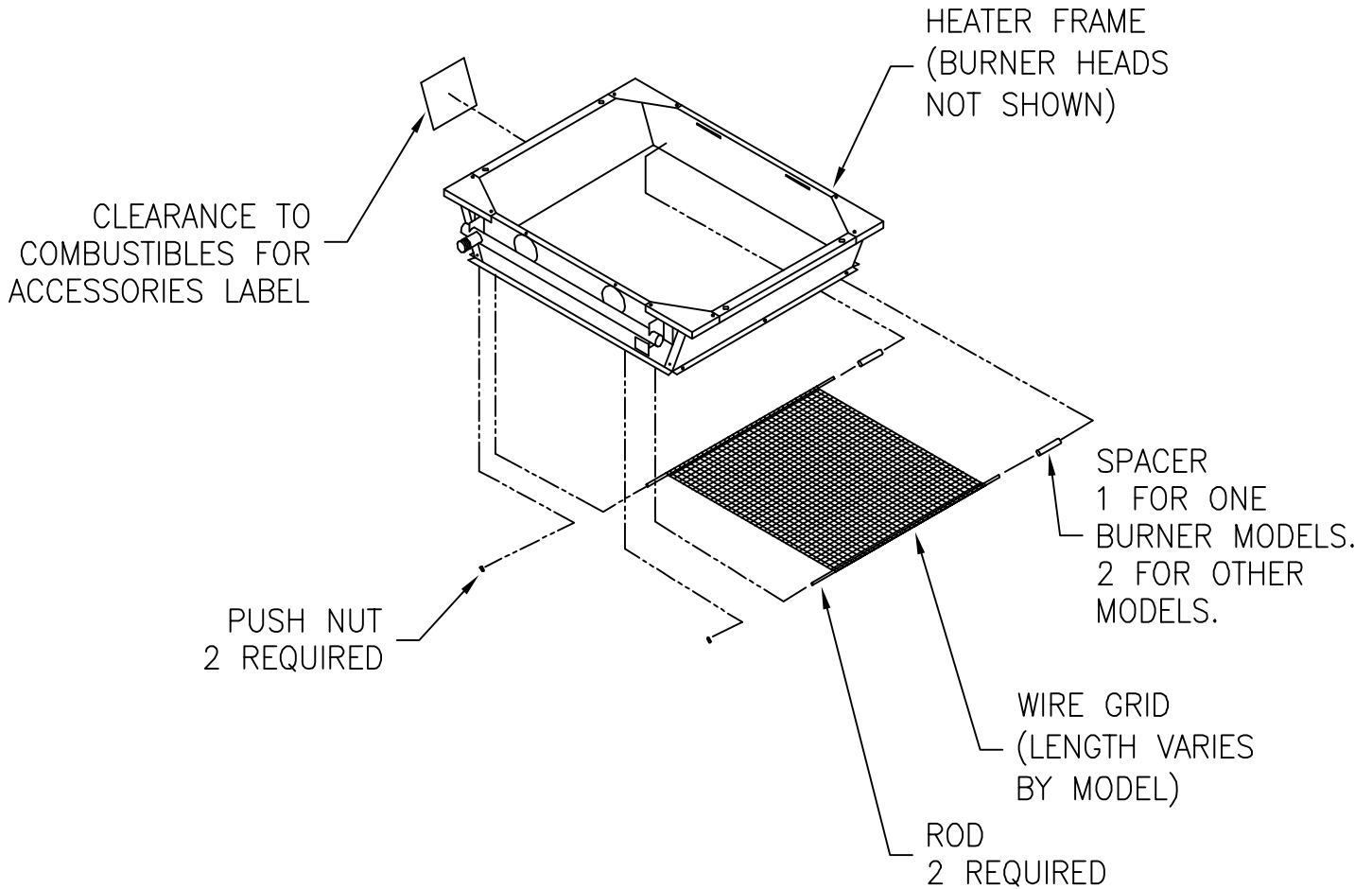


# HIGH INTENSITY GAS-FIRED INFRARED HEATERS

## WIRE GRID INSTALLATION



CSA DESIGN CERTIFIED FOR:  
60, 100, 150, AND 200 MBTUH  
NATURAL GAS HEATERS AND  
50, 90, 120, AND 160 MBTUH  
LP/PROPANE GAS HEATERS  
MOUNTED AT 30 DEGREES ONLY.