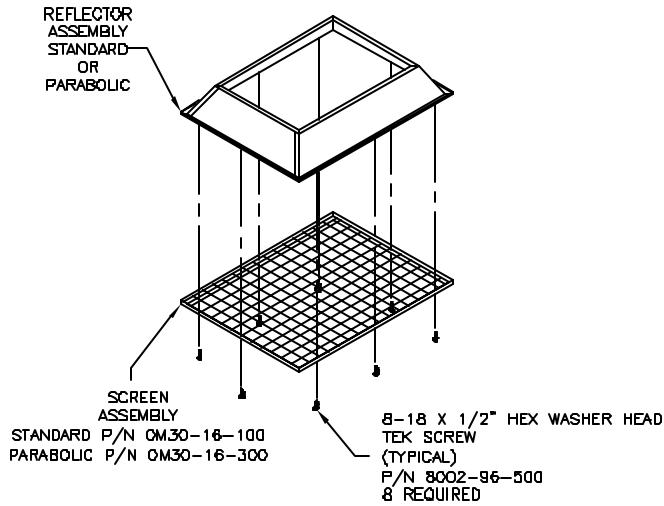


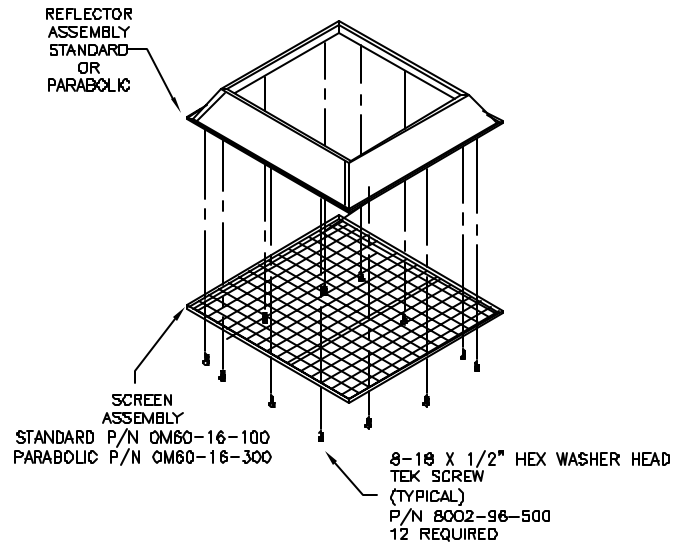
# HIGH INTENSITY GAS-FIRED INFRARED HEATERS

## PROTECTIVE SCREEN INSTALLATION

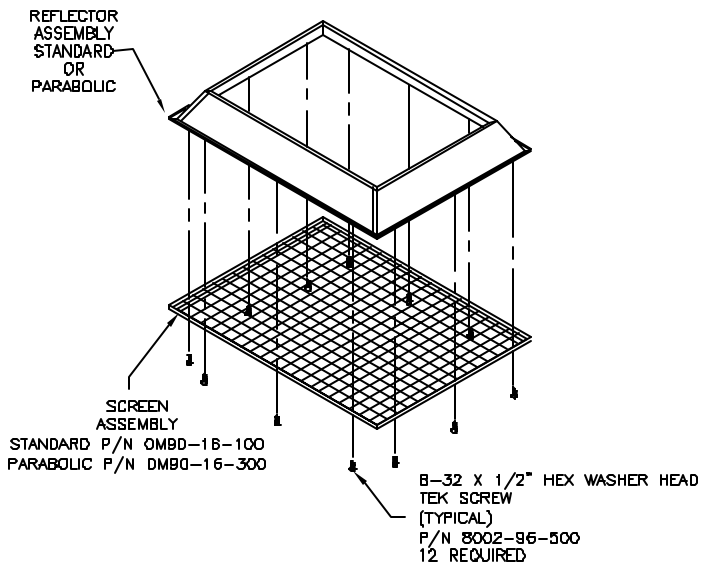
### ONE BURNER HEATER 30 THRU 60 MBTUH



### TWO BURNER HEATER 70 THRU 100 MBTUH



### THREE BURNER HEATER 110 THRU 160 MBTUH



### FOUR BURNER HEATER 175 THRU 200 MBTUH

