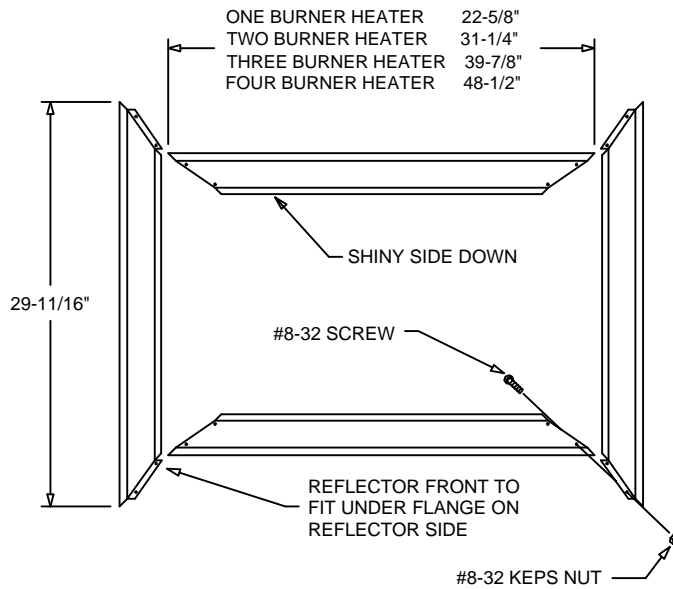


# HIGH INTENSITY GAS-FIRED INFRARED HEATERS

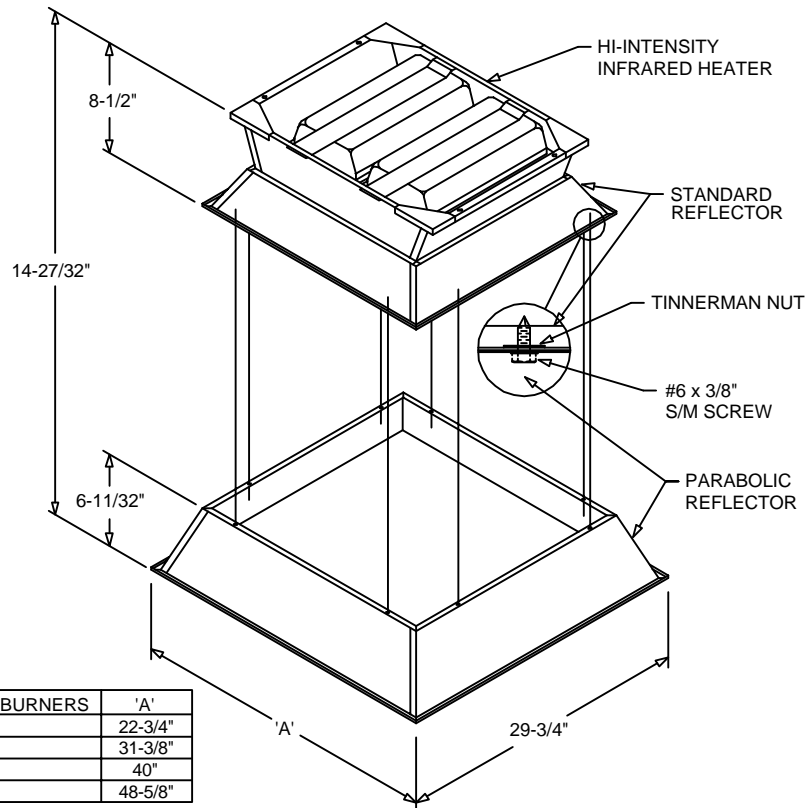
## PARABOLIC REFLECTOR ASSEMBLY & INSTALLATION

### ASSEMBLY TOP VIEW



| HARDWARE                            | QUANTITY |   |    |    |
|-------------------------------------|----------|---|----|----|
| NUMBER OF BURNERS                   | 1        | 2 | 3  | 4  |
| #6 x 3/8" HEX WASHER HEAD S/M SCREW | 6        | 8 | 12 | 14 |
| C-12003-017-4 TINNEMAN NUT          | 6        | 8 | 12 | 14 |
| #8-32 x 1/2" TRUSS HEAD SCREW       | 8        | 8 | 8  | 8  |
| #8-32 KEPS NUT                      | 8        | 8 | 8  | 8  |

### INSTALLATION



| NUMBER OF BURNERS | 'A'     |
|-------------------|---------|
| 1                 | 22-3/4" |
| 2                 | 31-3/8" |
| 3                 | 40"     |
| 4                 | 48-5/8" |